

Pneumatic 8-inch Valve Actuator



Flowrite 8-inch Pneumatic Valve Actuator.

Description

Designed for use with Flowrite valves, the Flowrite 8-inch Pneumatic Valve Actuator has a 3/4-inch (20 mm) stroke and is available with two diaphragm options for normal duty and high-temperature service.

Features

- Completely enclosed actuator housing protects the diaphragm, spring, and start point adjuster
- A positioning relay is available factory-mounted on valve and actuator assemblies or as an accessory
- Field-adjustable start point for sequencing and calibration
- Easy-to-install
- Legendary Flowrite performance

Option

- High-temperature model

Applications

The Flowrite 8-inch Pneumatic Valve Actuator is designed to be used with the Flowrite valves in liquid and steam service applications.

A-179

Valves



8-inch Pneumatic Actuator Specifications

Effective Diaphragm Area 28 in.² (180 cm²)

Diaphragm Material
 Standard Buna-N
 High Temp Silicone

Temperature Range
 Normal Duty Service 25 to 300°F (-4 to 149°C)
 High-Temperature Service 25 to 366°F (-4 to 186°C)

Nominal Spring Range
 Fixed Span Standard 5 psig (34 kPa)
 Fixed Span High Temp 10 psig (69 kPa)
 Adjustable Start Point 3 to 10 psig (21 to 69 kPa)
 Factory Setting Standard 3 to 8 psig (21 to 55 kPa)
 Factory Setting High Temp 10 to 20 psig (69 to 138 kPa)

Nominal Stroke 3/4" (20 mm)
Max. Diaphragm Pressure 35 psig (241 kPa)
Air Connection 1/8" NPT
Ambient Operating and Storage Temperature 35 to 180°F (2 to 85°C)
Mounting Location NEMA 1 (Interior Only)

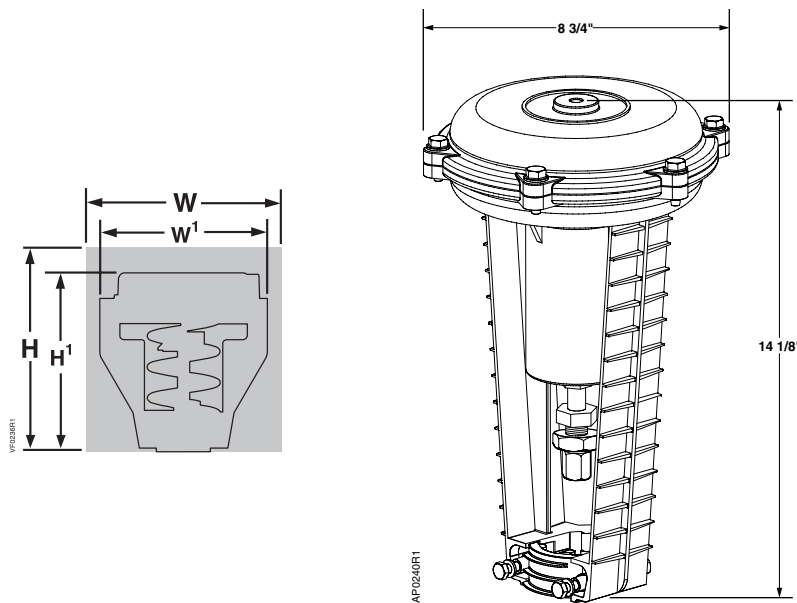
8-inch Pneumatic Actuator Product Ordering

Description	Span	Part No.	Actuator Prefix Code
Normal Duty			
Actuator	5 psi	599-01050	277
Actuator and positioner		599-01050 + 599-00426	283
High-Temperature			
Actuator	10 psi	599-01051	278
Actuator and positioner		599-01051 + 599-00426	284

A-180

Valves

Dimensions



Actuator	Height of Actuator H¹	Service Height H	Width/Diameter of Actuator W¹	Service Width W
8" (171 mm)	14-1/8" (359 mm)	26" (660 mm)	8-3/4" (222 mm) Dia.	21" (450 mm)

Table Note:
 Service height and width are the recommended dimensions to allow access to the product.